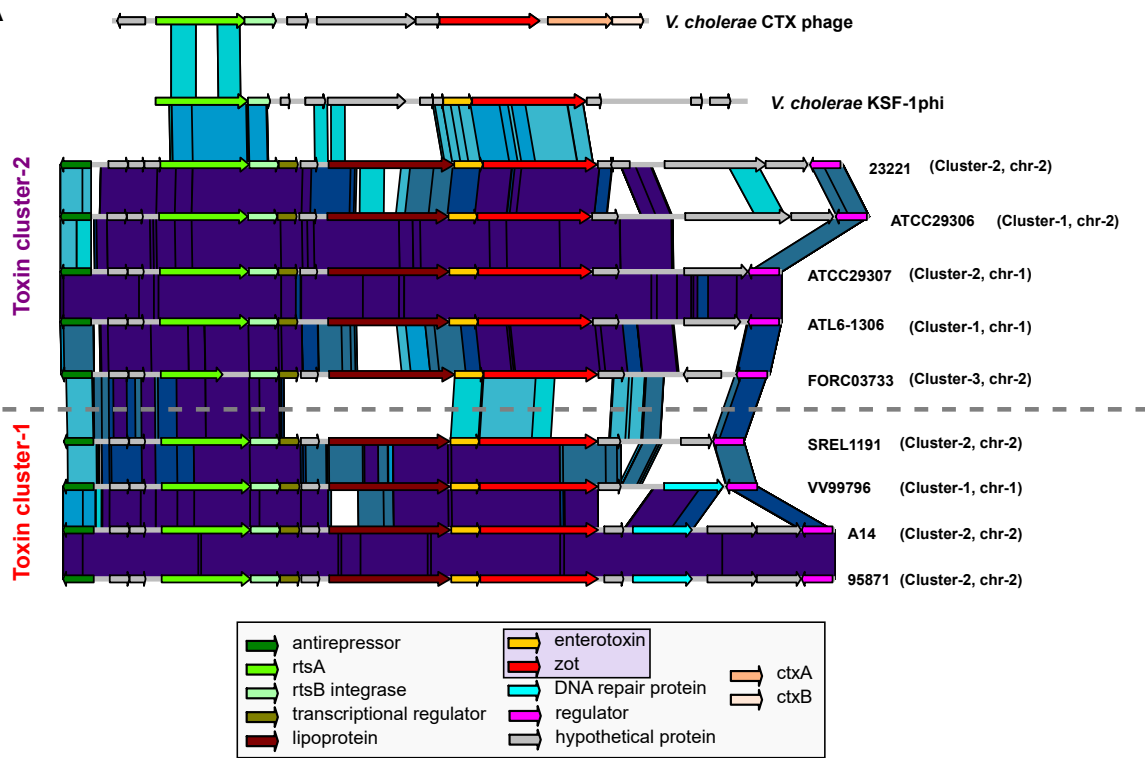
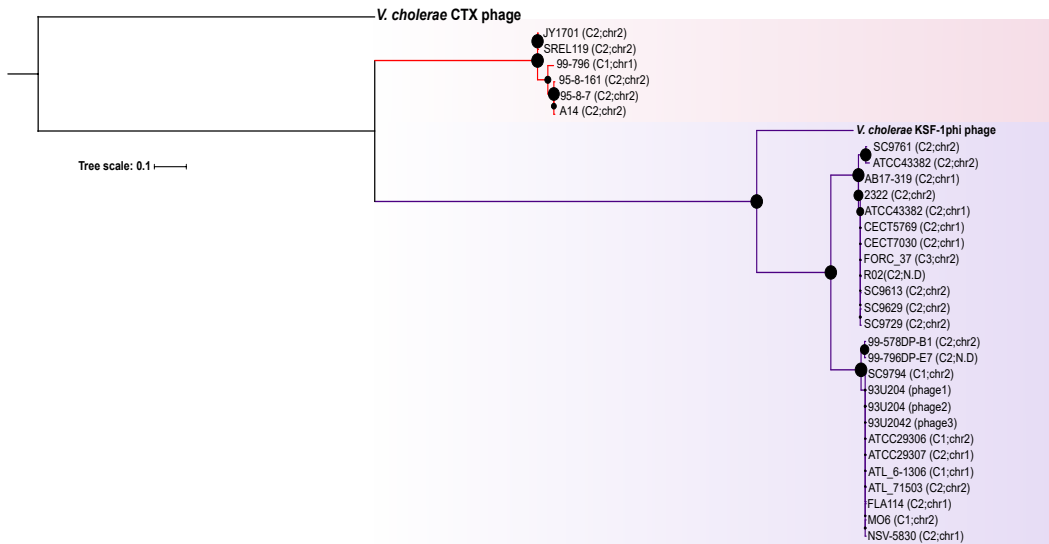


**A****B**

### Zonular occludens toxin Phylogenetic tree

**C**

### Enterotoxin Phylogenetic tree

